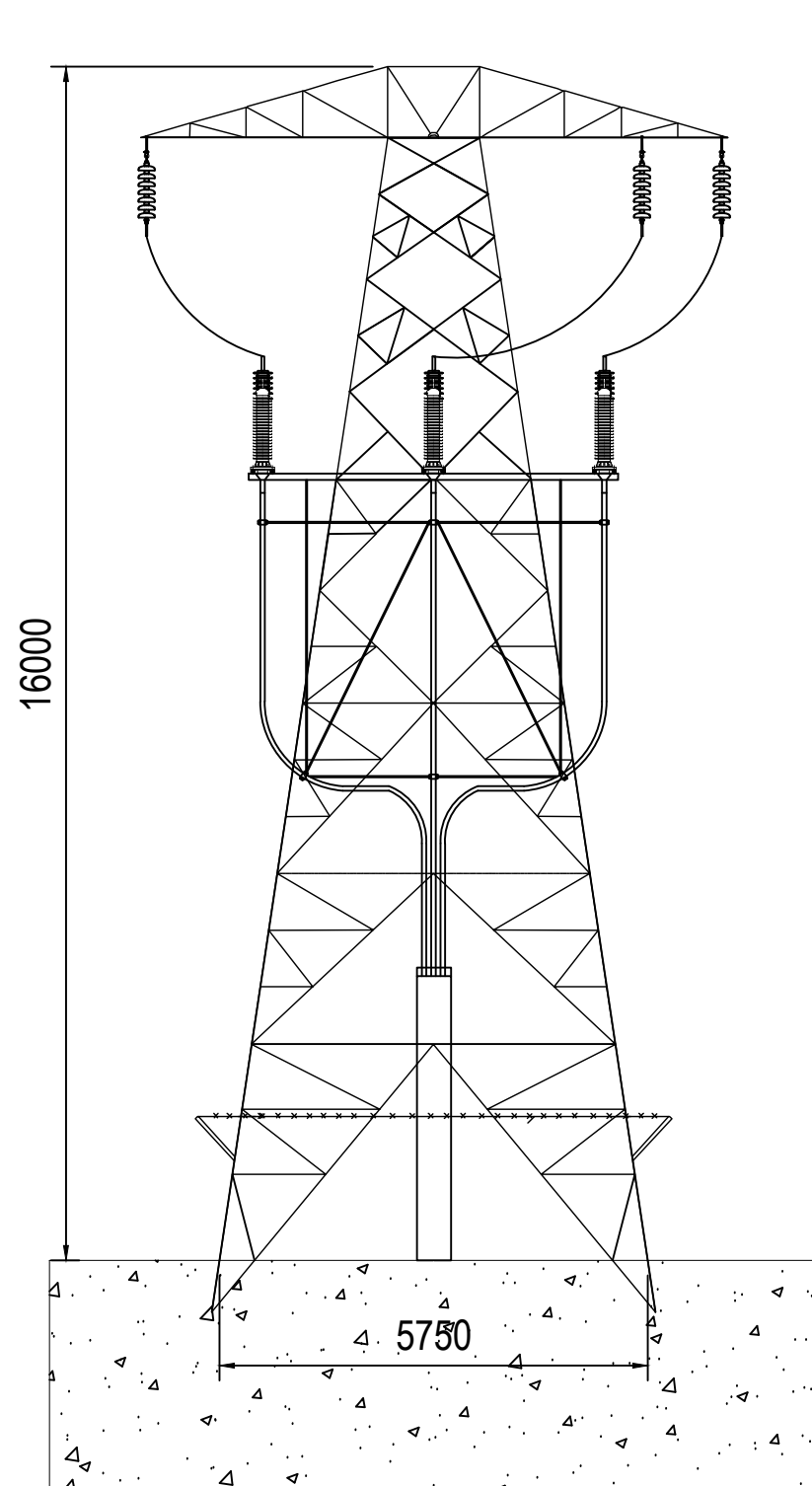
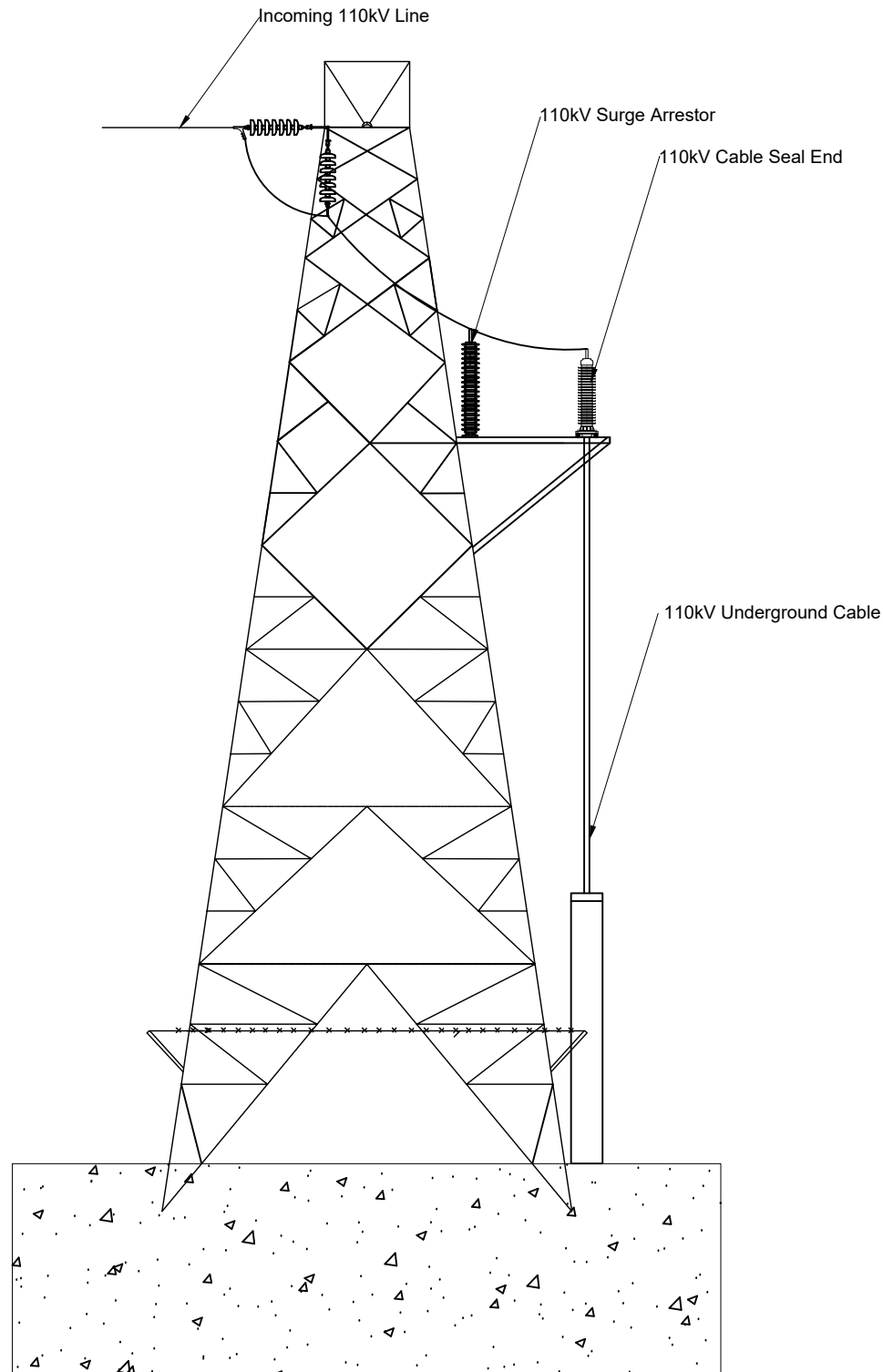


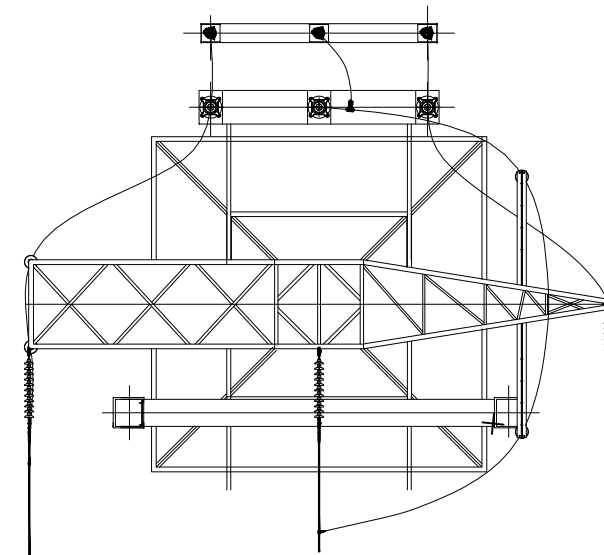
INTERFACE TOWERS



Front View
Scale 1:100



Side View
Scale 1:100



Plan View
Scale 1:100

Notes

- All dimensions in millimeters unless otherwise noted.
- Do not scale from drawings, use figured dimensions only.
- Foundation level and height of tower is subject to change based on variables associated the existing 110kV line profile and polesets.
- Final siting of the Interface Towers will be subject to EirGrid approval at detailed design stage and may need to be positioned so as to achieve the appropriate design standards on the existing overhead line

Drawings are for planning only and should not be used for detailed design. The detailed design will be subject to EirGrid approval based on their latest specifications at the time, and equipment dimensions/siting may vary once the exact specification are determined

Legend

Revisions

REV	DATE	DESCRIPTION
0	13.10.25	Draft
1	24.11.25	Issued for Planning

Drawn By: RH
Approved By: MMC

Summary

Project
Drumdowney Substation & Grid Connection

Location
Rathpatrick, Co. Kilkenny

Title
Interface Towers

Drawing Number
DRMDY-DR-006

Scale
1:100 @ A3

Drumdowney Solar Farm Limited
Commercial House
Millbank Business Park
Lucan
Co. Dublin